

Overview

Smart modules add additional functionality and connectivity to select CueServer 3 models by plugging them into an available module slot.

Use the **SM-RS485** module to interface to devices that require RS-485 serial communications. These may include video projectors, window covering motors, automation systems, media servers and more.

Additionally, the **SM-RS485** module also supports alternate protocols including Station Bus and DMX. In Station Bus mode, these modules allow for direct connection of 5-Wire CueStation button stations (such as Mystique or Ultra stations). In DMX mode, the module can be used to communicate via the DMX-512 protocol.

The **SM-RS485** is provided with a 3-position 5.08mm pluggable terminal block for easy field wiring. The terminals include D- (data minus), D+ (data plus), and COM (common).

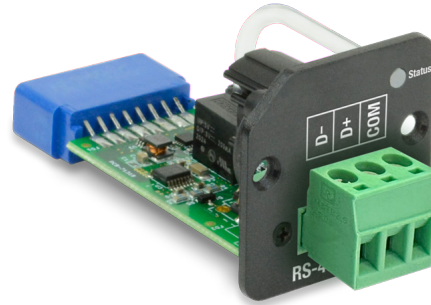
Additionally, an LED indicator on the module provides at-a-glance operational status.

Features

- Provides industry standard RS-485 port
- Can be configured in software for many common baud rates from 300bps to 250,000bps
- Serial ports can be configured in software to communicate in various protocols including CueScript, CueStation Hub, JavaScript plugins, or customer-defined messages
- Up to 8 SM-RS485 modules can be added to the CS-3900 CueServer 3 Pro
- Full galvanic isolation of the port for best immunity to ground loops and voltage mismatches
- High ESD protection
- Additional Station Bus and DMX-512 protocols supported
- Built-in status indicator LED

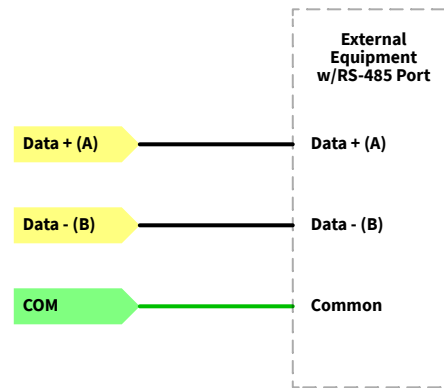
Ordering

SM-RS485 **RS-485 Serial Smart Module**
Includes 3-position pluggable terminal block



SM-RS485
RS-485 Serial Smart Module

Typical Customer Wiring



Note: Be sure to connect the **Data +** pin of the SM-RS485 to the **Data +** pin of the external equipment, and similarly the **Data -** and **Common** pins.

Specifications

Module Power Requirements	
Off	0.0 W
DMX Input	0.1 W
DMX Output, Station Bus, RS-485 (No Load)	0.3 W
DMX Output, Station Bus, RS-485 (Full Load)	0.5 W

Specifications subject to change without notice. Interactive Technologies is not responsible for errors or omissions. All trademarks are the property of their respective owners. Copyright © 2022-23, Interactive Technologies, Inc. All rights reserved worldwide. D0533A 11/17/2023

Interactive Technologies, Inc.

5295 Lake Pointe Center Drive
Cumming, GA 30041 USA
1-678-455-9019
interactive-online.com

Catalog #:

Prepared by:

Project:

Date: